



NORTH DAKOTA
STATE UNIVERSITY
MAR 6 1974
SERIALS DEPT.
LIBRARY

FEEDING BIRDS

Each year certain birds migrate into North Dakota. Some only pass through on the way to warmer areas. Some stay through the winter.

Feeding them helps them survive the long winter. Feeding birds gives people a chance to observe and appreciate them. It has been said that people who feed and watch them get more out of it than the birds. Some of the birds that appear in the winter are the crossbills, chickadees, downy and hairy woodpeckers, bluejays, nuthatches, pine siskins and others less common such as grosbeaks and an occasional cardinal.

BIRD FOOD LIST

Sunflower Seeds

Chickadees
Cardinals
Grosbeaks
Bluejays
Sparrows
Nuthatches
Pine Siskin
Red Crossbill

Suet

Chickadees
Starlings
Bluejays
Downy and Hairy Woodpeckers
Nuthatches

Wild Bird Seed Mixture

Sparrows
Cardinals
Chickadees
Bluejays

Bread

Sparrows
Starlings
Bluejays

A feeder can be almost anything that will hold bird feed. It can be a simple flat board, a remodeled plastic bottle or a more elaborate affair. Suet can be put on a nail or in a mesh sack.

Place the feeder out of the wind.

Compiled by
IRVING J. MORK
Wildlife Conservationist

S
544.3
N9
A8
no. 585

Sheltered Feeder

Material

1/2" exterior grade plywood

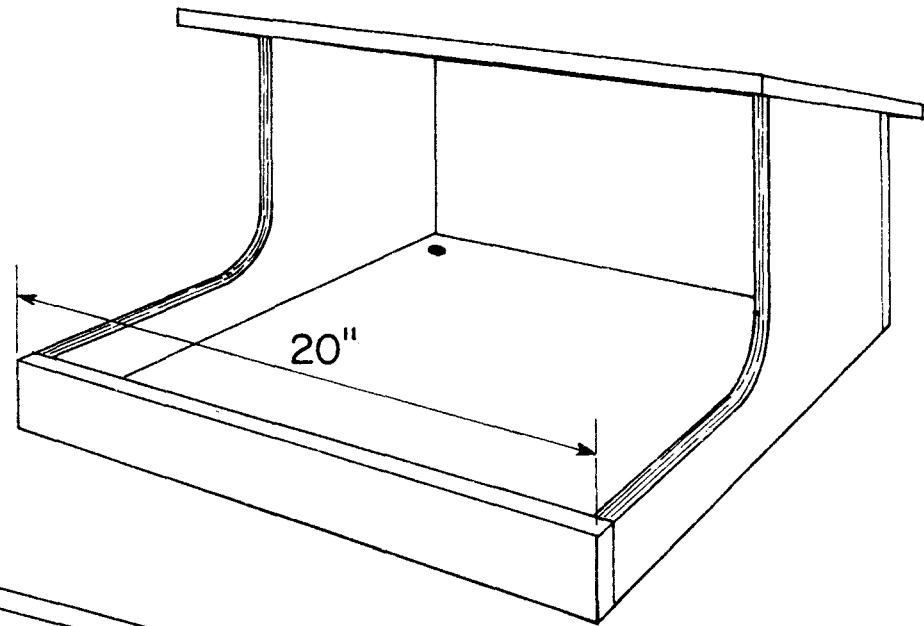
1 piece 2' x 4' and 1 piece 1' x 2' each with grain on the face ply in the 2' direction

Waterproof glue

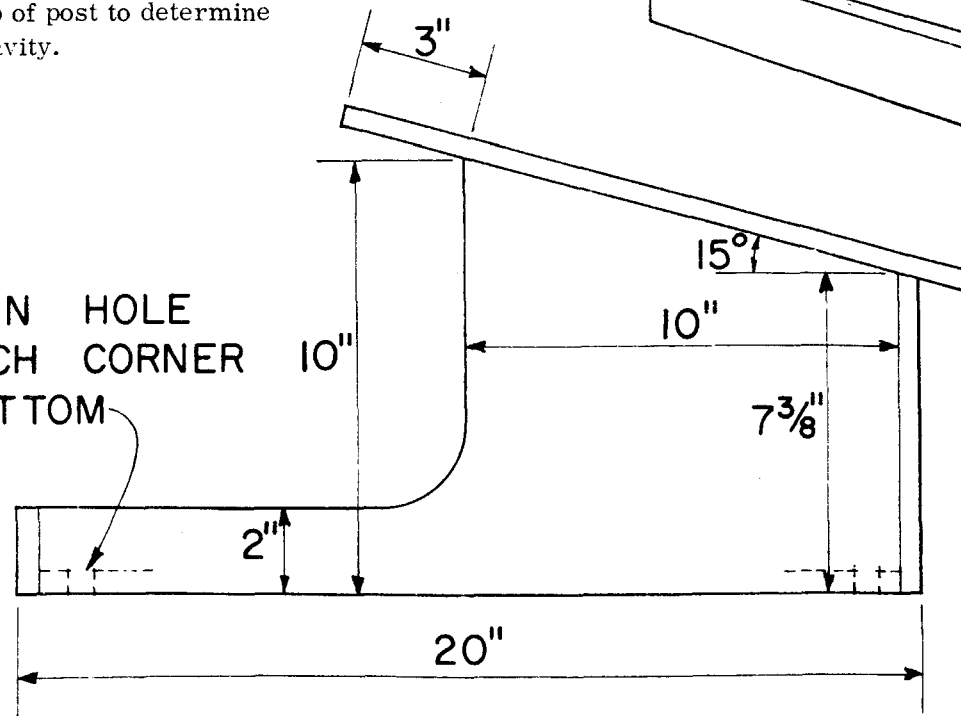
1 1/4" nails (galvanized or aluminum preferred)

Mounting

Attach to steel fence post with bolts through the back. Attach to wood post with lag screw through bottom into top of post. Balance feeder on top of post to determine center of gravity.



5/8" DRAIN HOLE
IN EACH CORNER
OF BOTTOM



SIDE VIEW

Window Sill Feeder

Material

1/2" - 3/4" exterior grade plywood or 1" x 12" lumber for bottom
5/16" x 1 3/4" lattice or 1/4" plywood strips for edges

1" or 1 1/4" nails (galvanized or aluminum preferred)
Waterproof glue
3' small link brass or galvanized chain
4 - screw eyes or screw hooks

Mounting

The south side of the house is preferred for protection from the prevailing winds.

