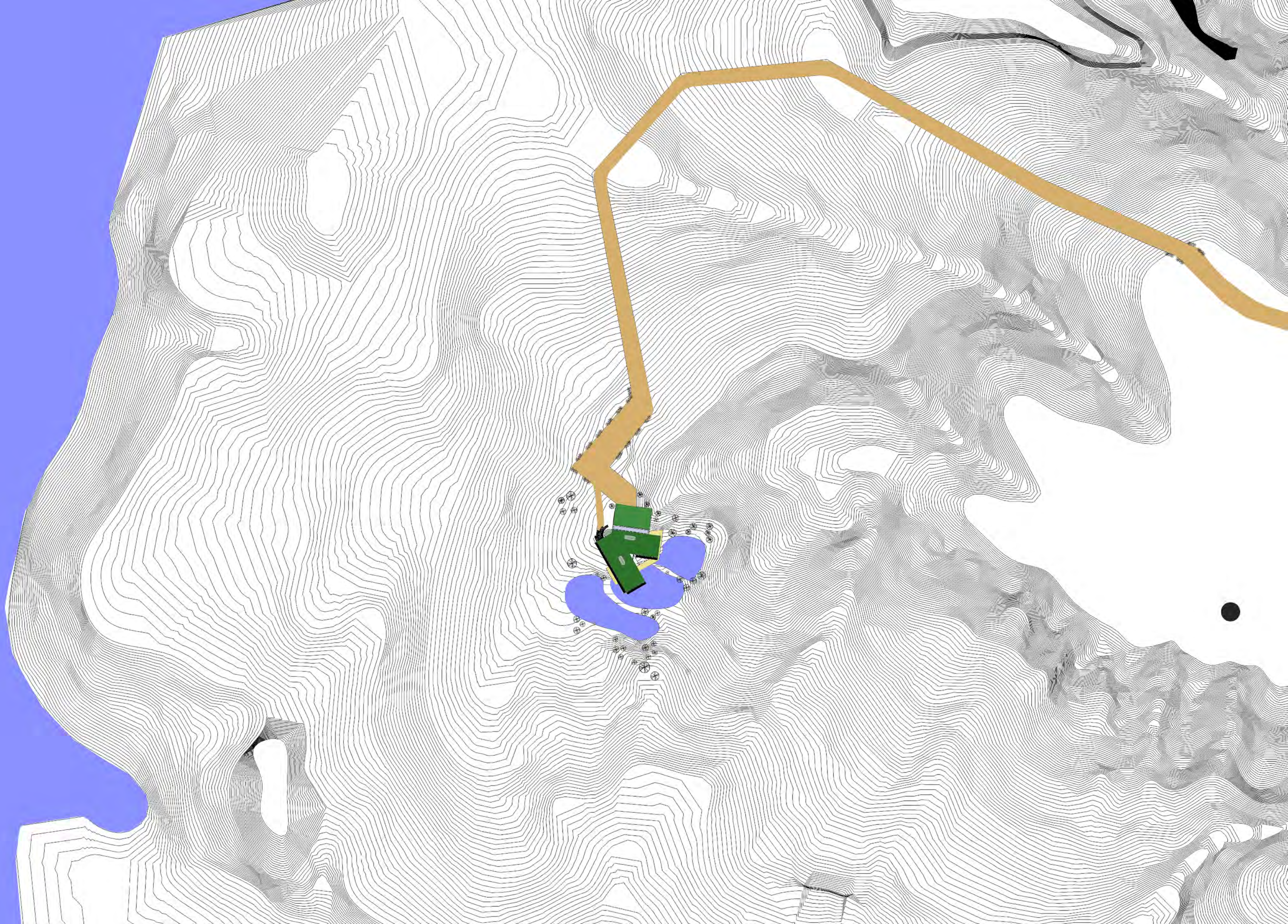


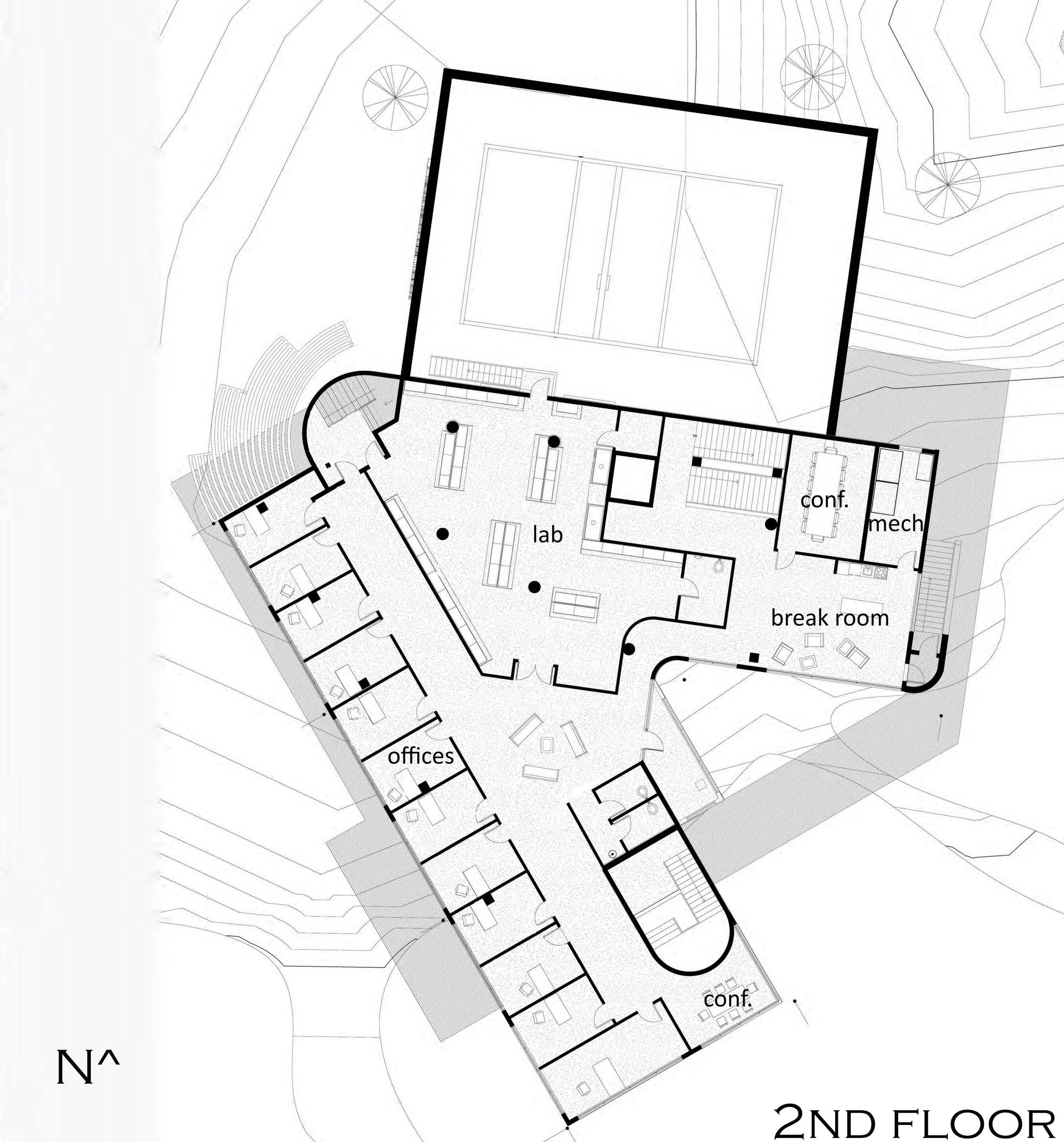
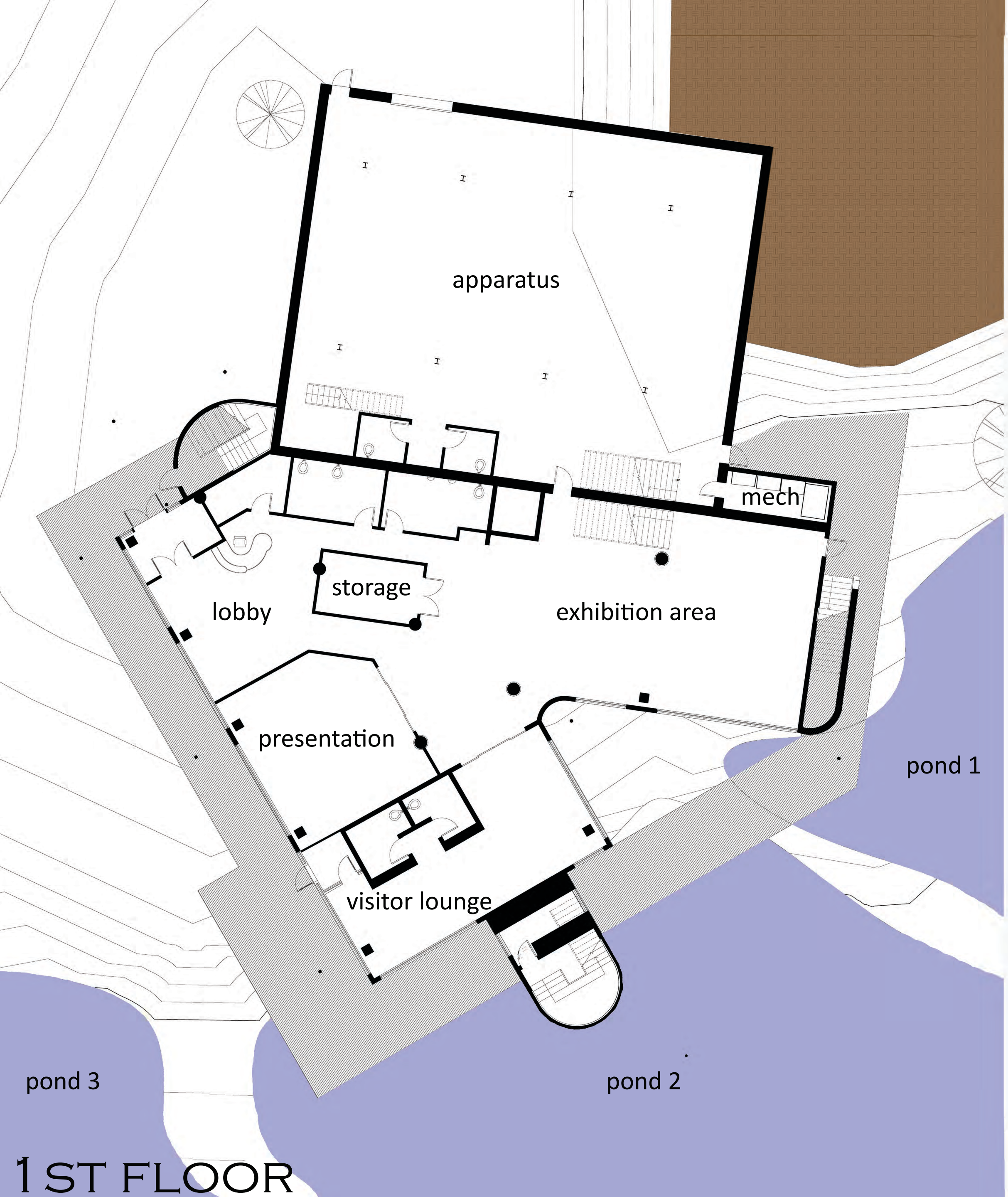
# Water Research Experiment Station - Linton, ND















NORTHWEST SECTION PERSPECTIVE

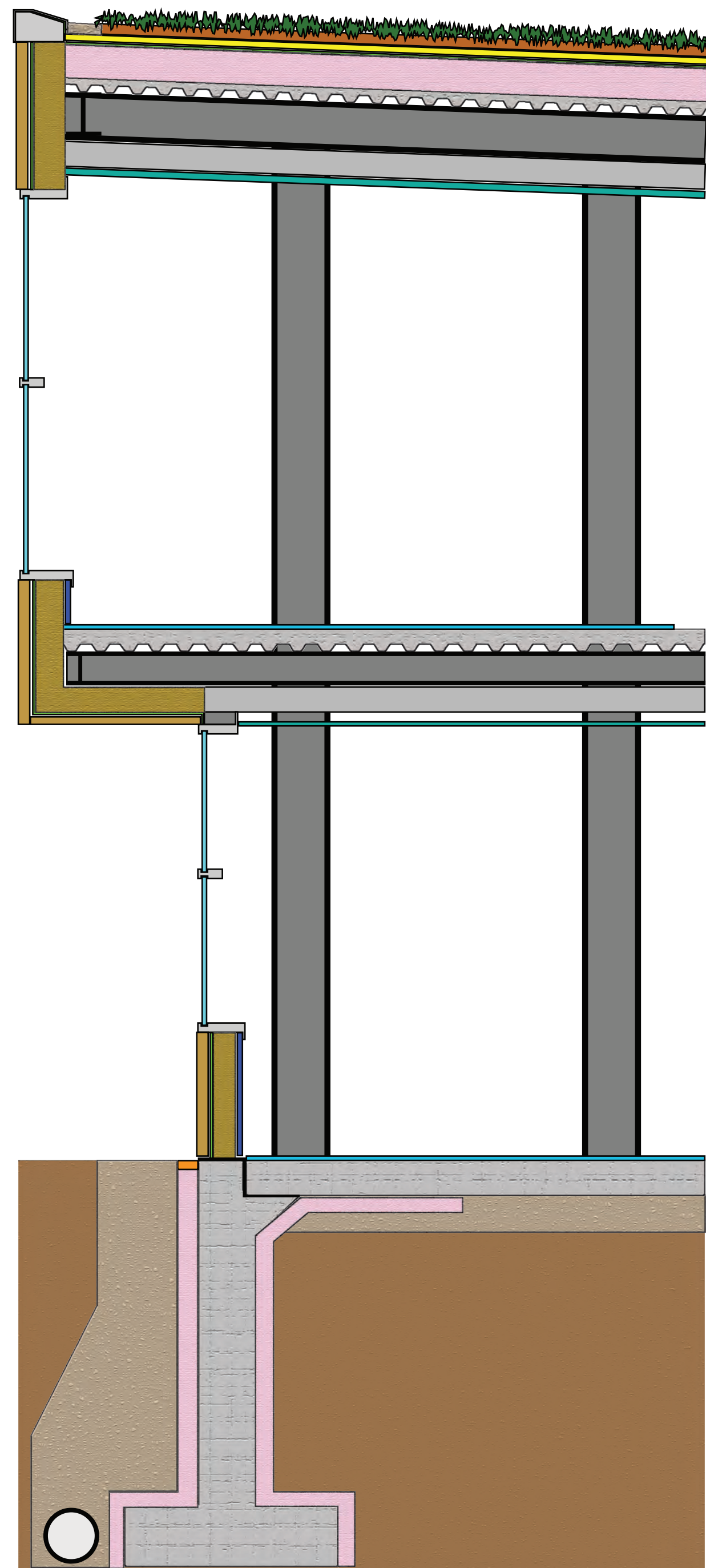




SOUTHEAST SECTION PERSPECTIVE

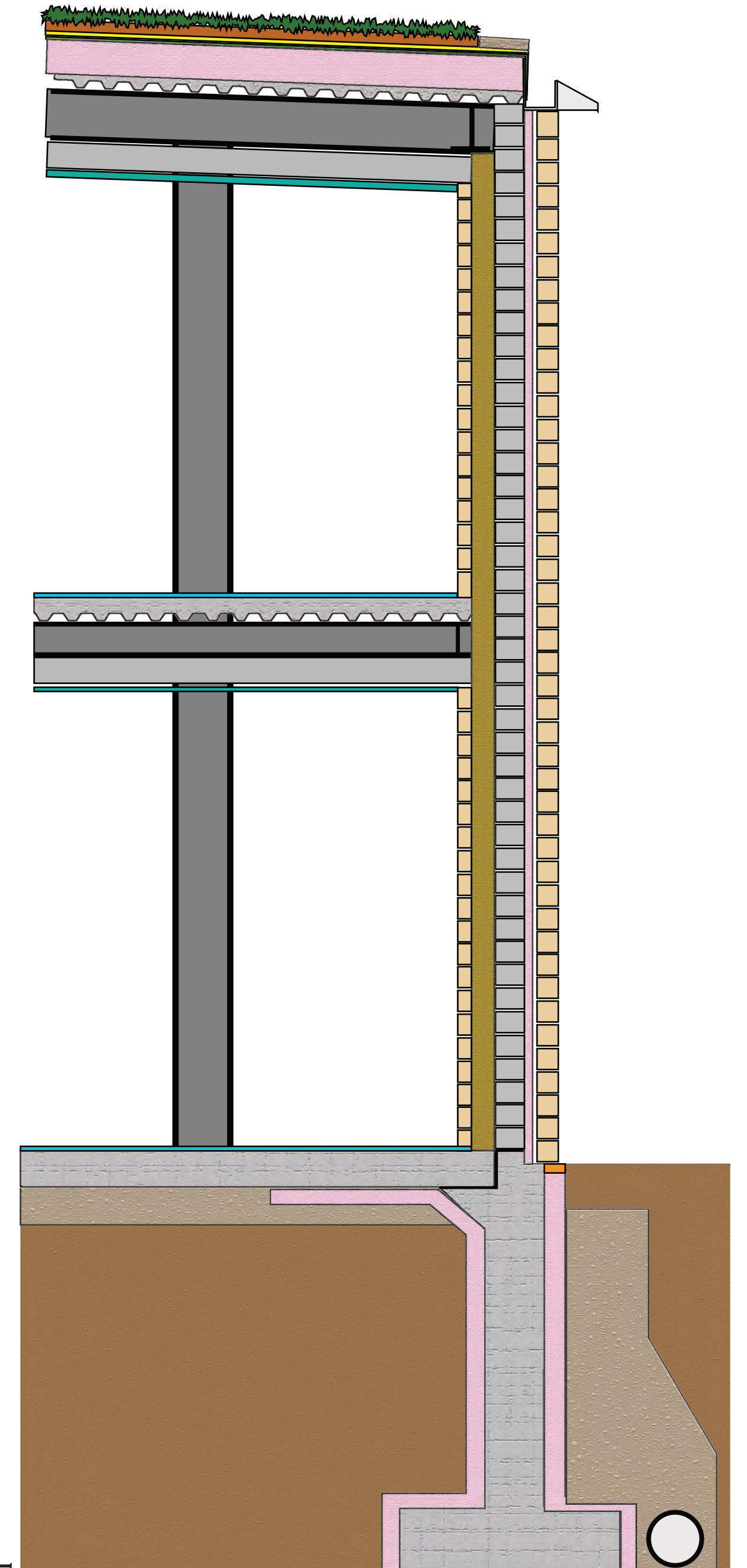


# WALL DETAILS



WEST FACADE

- STRUCTURAL STEEL
- RIGID INSULATION
- FOAM INSULATION & STEEL STUDS
- METAL STUDS
- CONCRETE
- WEATHER MEMBRANE
- FIBER REINFORCED CONCRETE PANEL
- GROWING MEDIUM
- ROOT BARRIER
- INTERIOR FINISH
- GYPSUM BOARD
- FIELDSTONE



STONE FACADE



