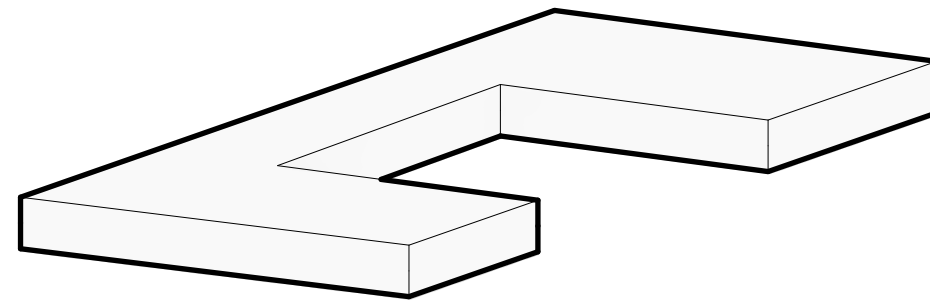
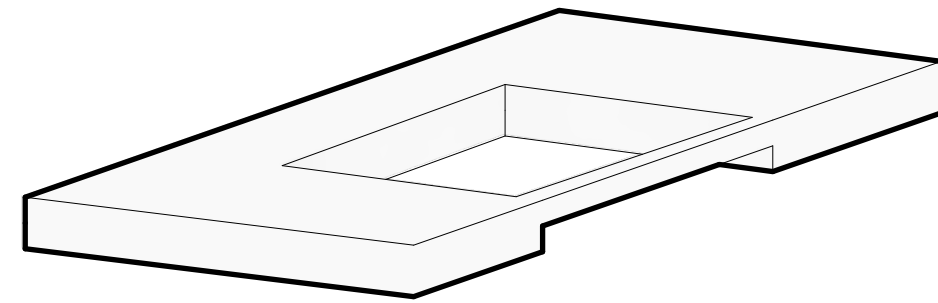


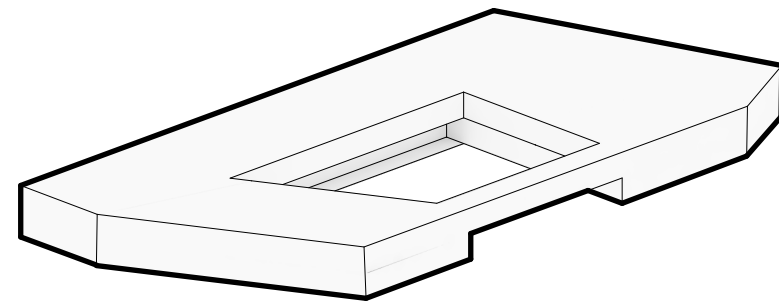
1. Start with a simple parallelogram shape.



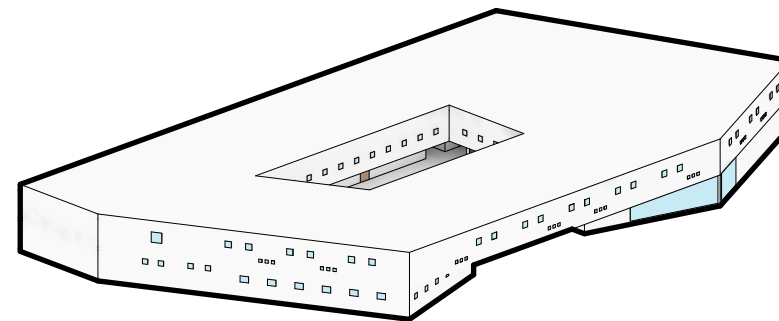
2. Remove the center part to form a basic courtyard.



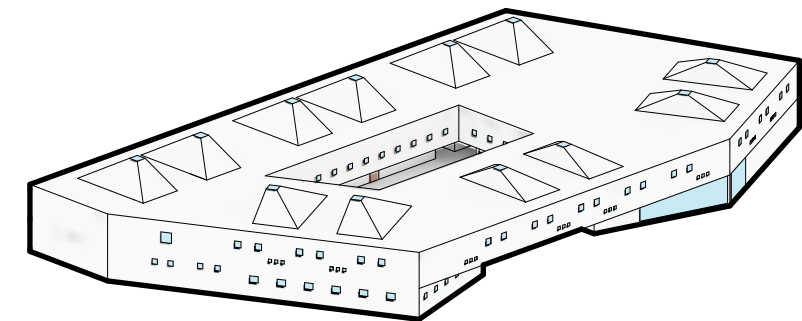
3. Connect second floor with a corridor.



4. Plug in the program needs and cut down the inutile space. Finalize the shape of kindergarten.



4. Refine the edges and design openings for the building facade.



6. Enhance classroom light condition with roof openings.