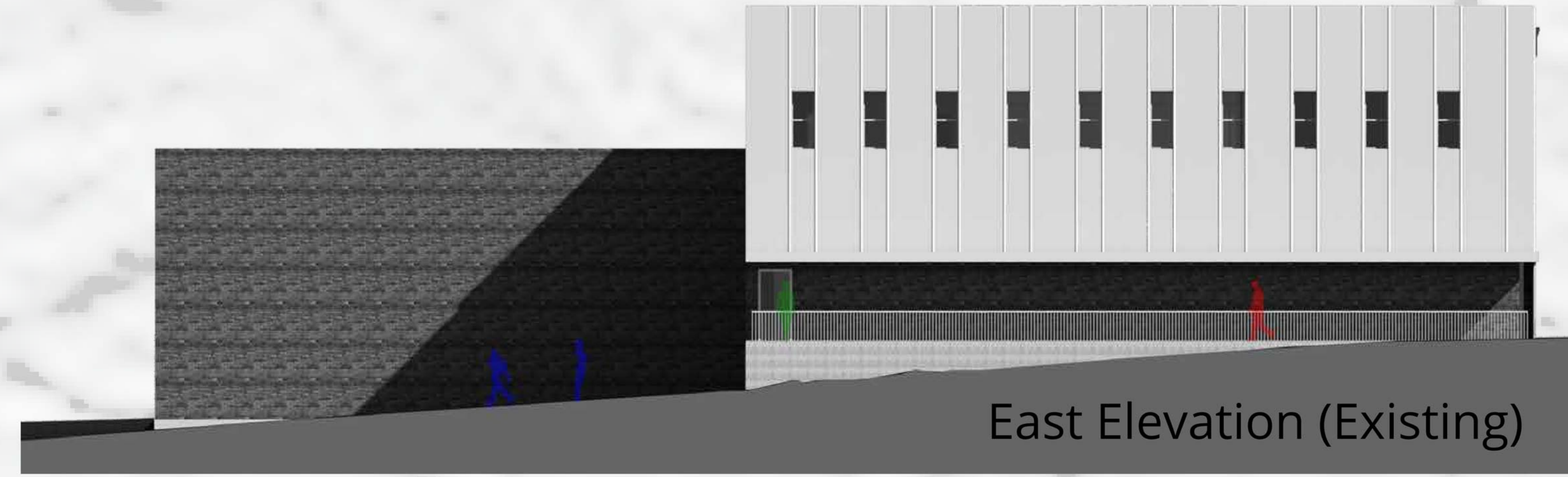




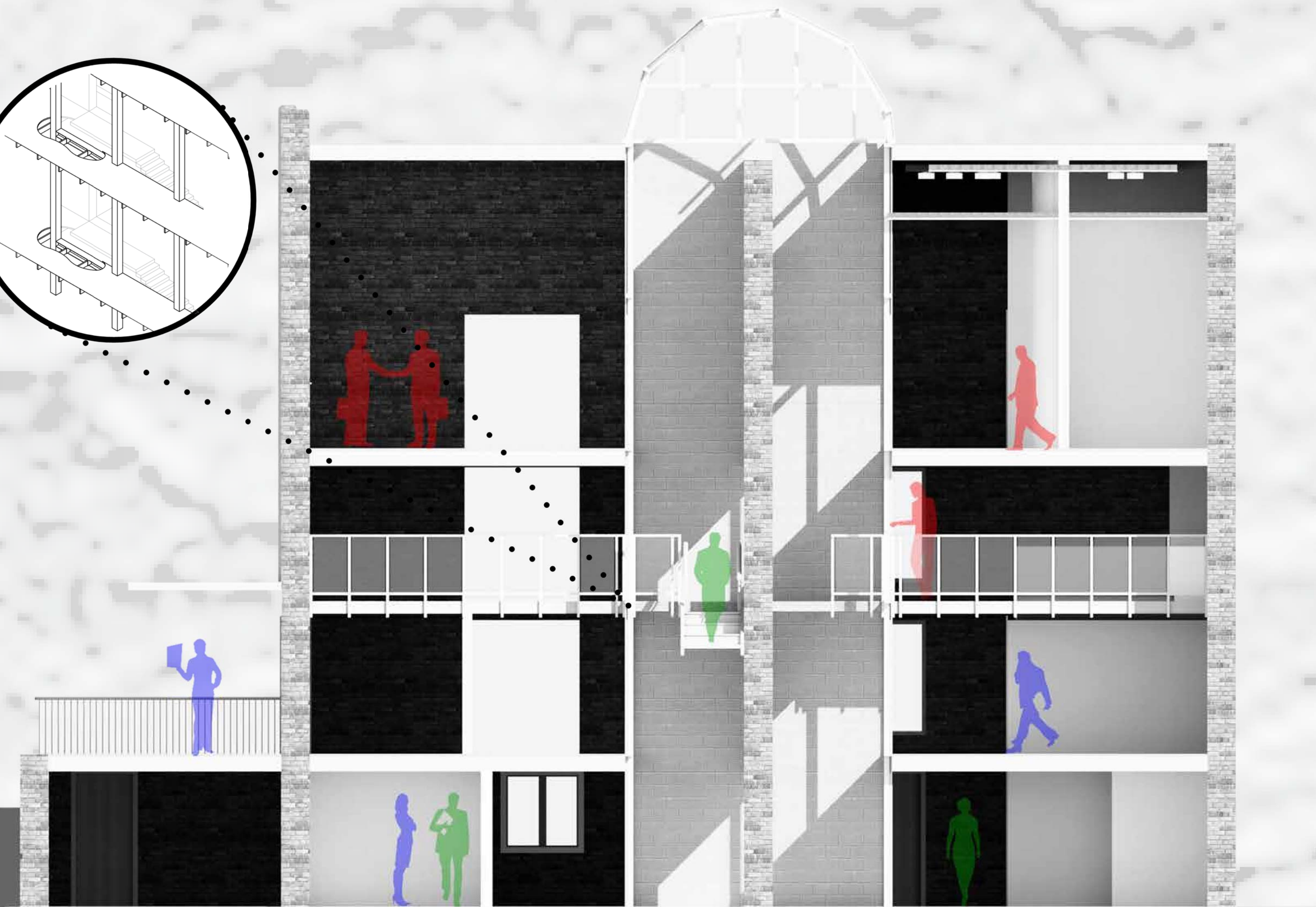
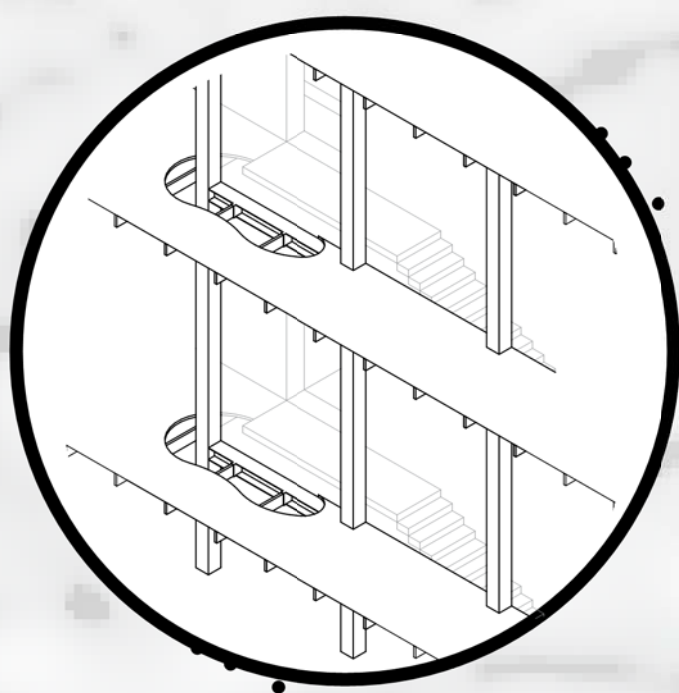
North Elevation (Proposed)



East Elevation (Existing)

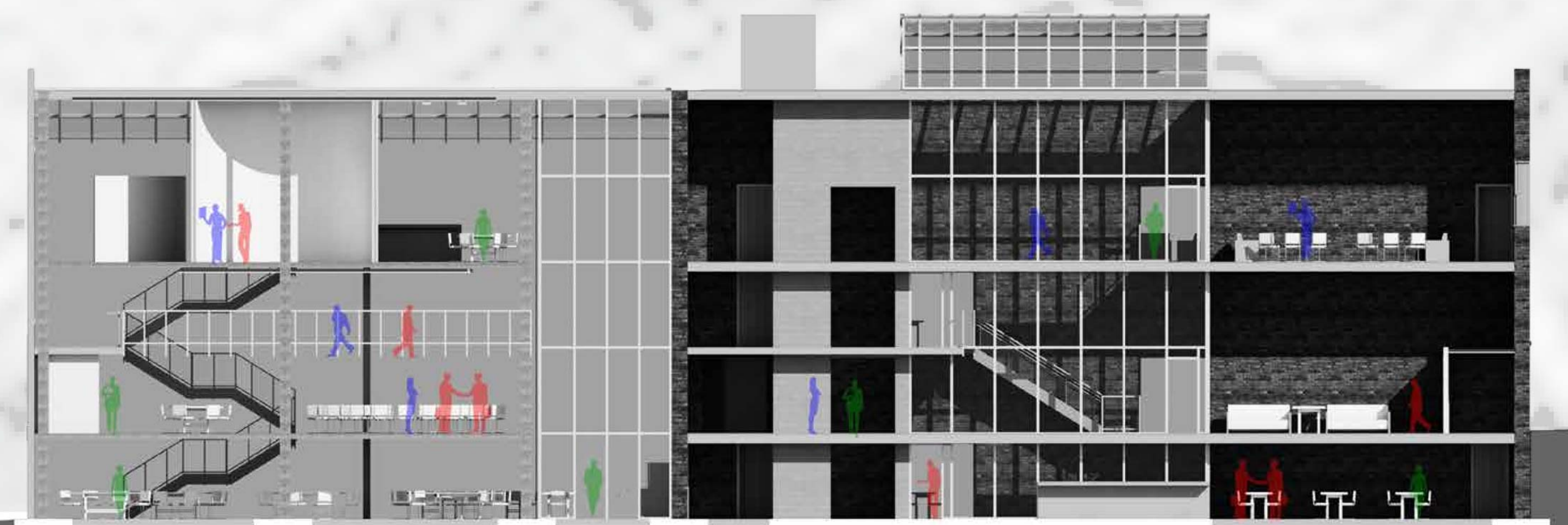


East Elevation (Proposed)



Section S2

0 8' 16' 32' 64'



Section S1

0 8' 16' 32' 64'