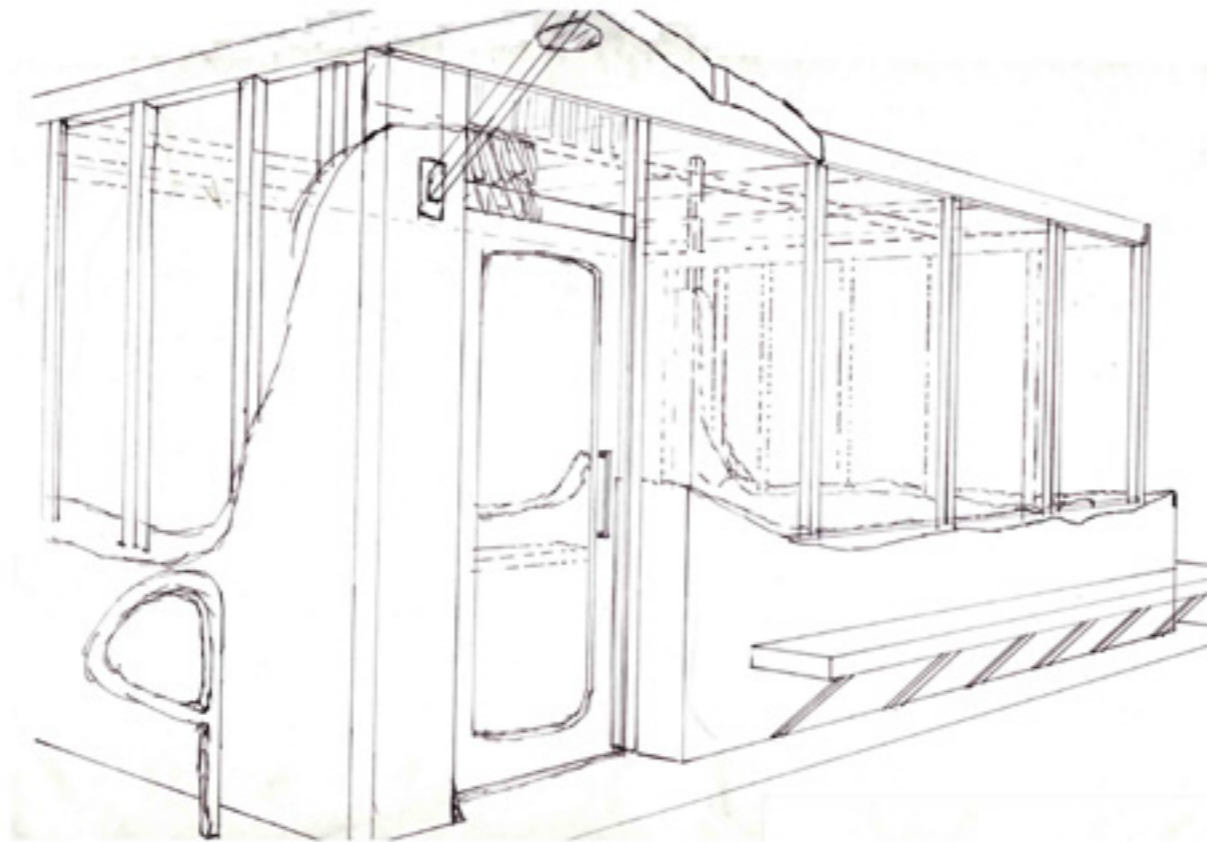
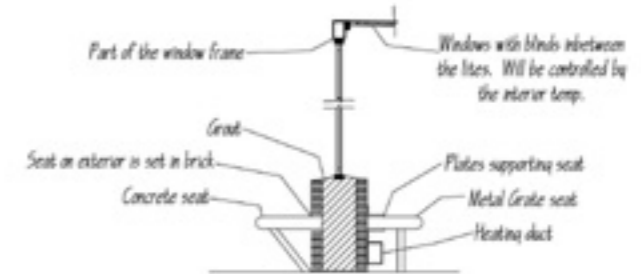


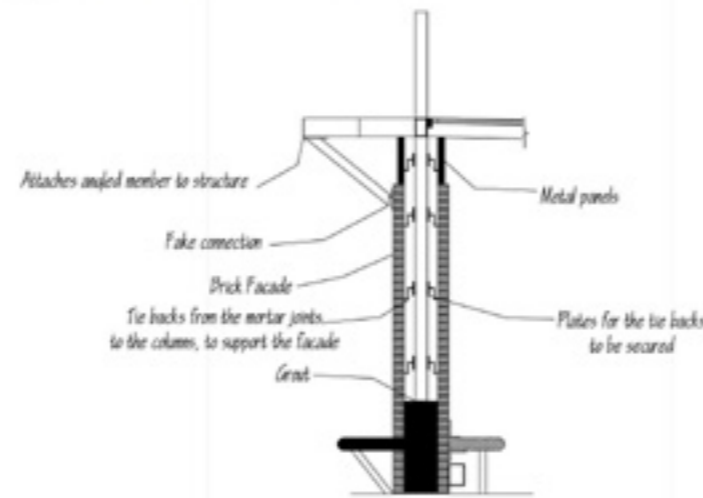
From the old comes the **NEW**



Exterior Perspective



Detail Section 1/2 = 1 Scale



Detail Section 1/2 = 1 Scale

