



the bentley schmeets
ADAPTABLE REC CENTER

Bentley's Paradise

NDSU Department of Architecture
Kai Erickson

2020-2021 Masters Thesis

Meet Bentley



Name | Bentley Todd Schmeets
Age | 11

Diagnosis | Cerebral Palsy (quadriplegic), Hypersensitivity Disorder, seizures, muscle spasticity

Favorite Color | Pink

Favorite Food | Pizza w/ Ranch or McDonald's cheeseburger

Fun Facts | Loves Pokémon, loves money and making deals, has an infectious laugh, toughest kid around



Inspiration



+ Worked with Bentley as Direct Support Professional for 4 years

+ Have seen firsthand the difficulties of being in a wheel chair

+ The limitations on things Bentley can do

+ Wanting to educate people more on this topic

Vision

- + Adaptable to Bentley using design features in terms of all senses (visual, auditory, tactile, olfactory and gustatory) and mobility
- + A place to experience new therapy techniques, new adventures and activities
- + Keep Bentley active, yet do it in a safe manner
- + Design Bentley's Paradise, a place he can go to have fun, play, explore on his own, be happy and not worry about obstacles getting in his way

Thesis Development

How individuals with Cerebral Palsy and Hypersensitivity perceive, interpret and react to their surroundings versus individuals without these diagnoses. Then, how as a designer can I design a suitable and adaptable space for these individuals' specific needs, thus creating a personal paradise.

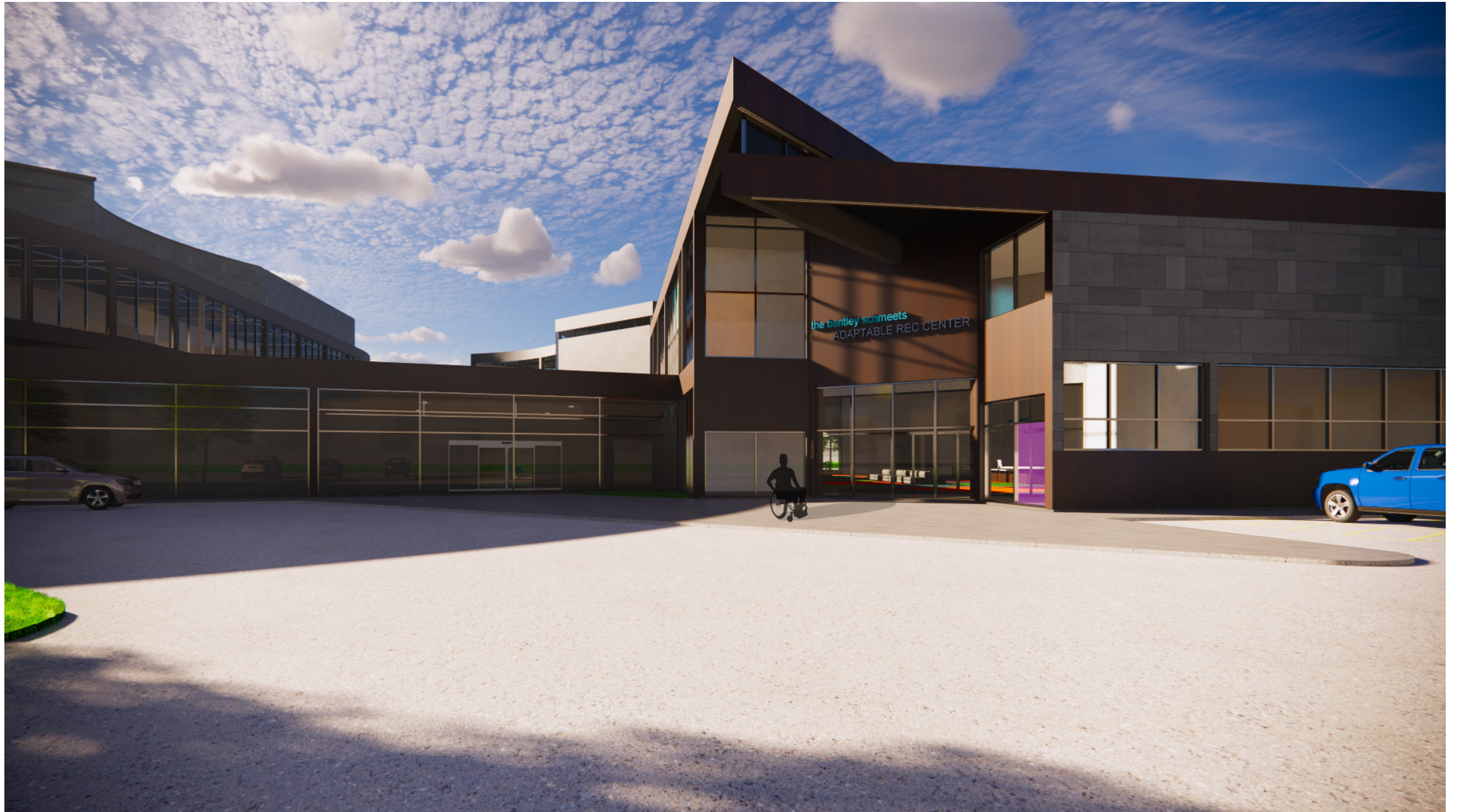
How does it all fit together?

the bentley schmeets
ADAPTABLE REC CENTER

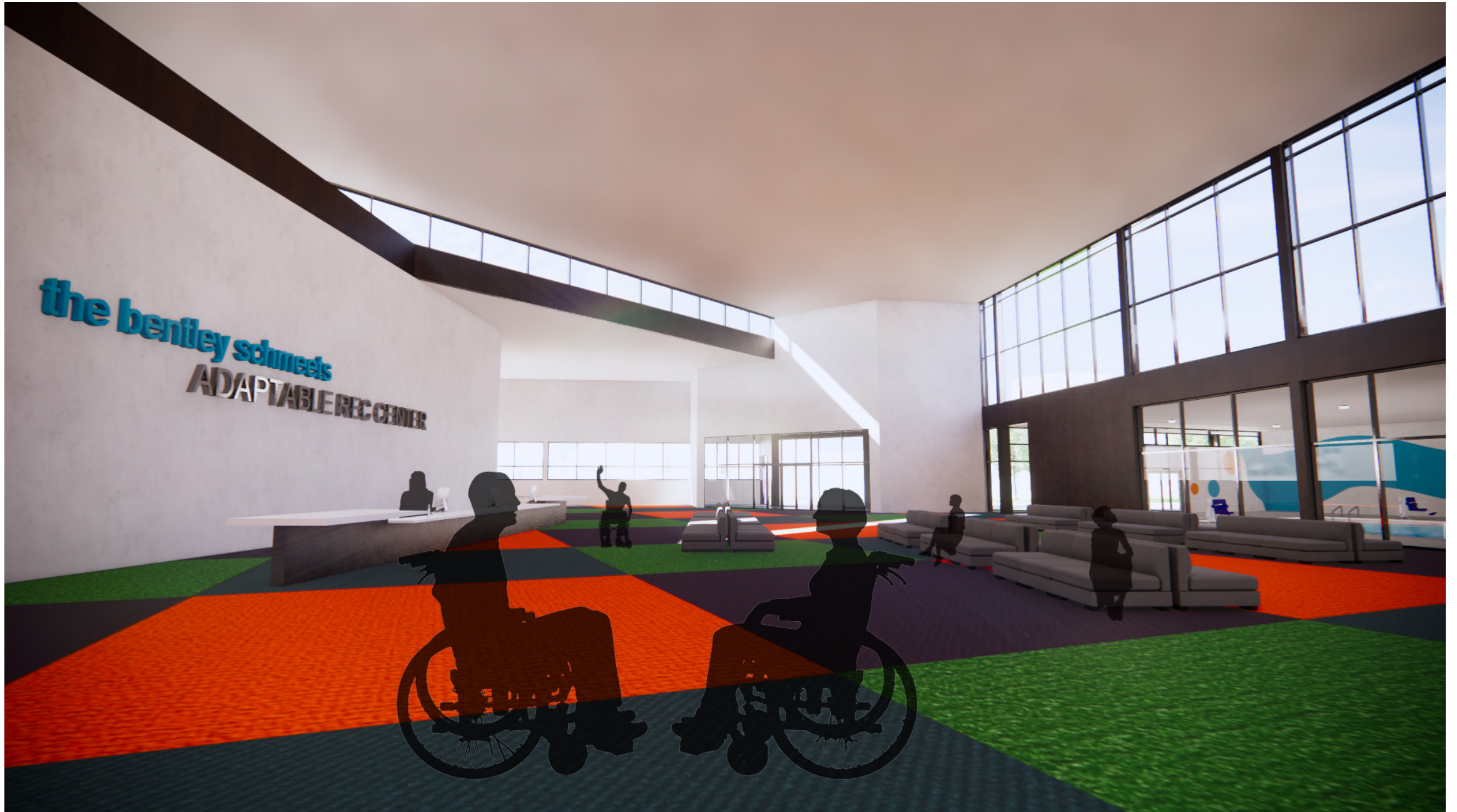
Multi-use recreation center for individuals with Cerebral Palsy and Hypersensitivity. It's designed based on Bentley's specific needs according to what he considers paradise.

Design Solution

- + Show each specific space within the center and how they are adaptable to each sense
- + Show how the design features used throughout the center create idyllic spaces
- + Show how Bentley's Paradise was achieved



Exterior Perspective | Entrance



Interior Perspective | Lobby/Commons Area



Interior Perspective | Swimming Pool



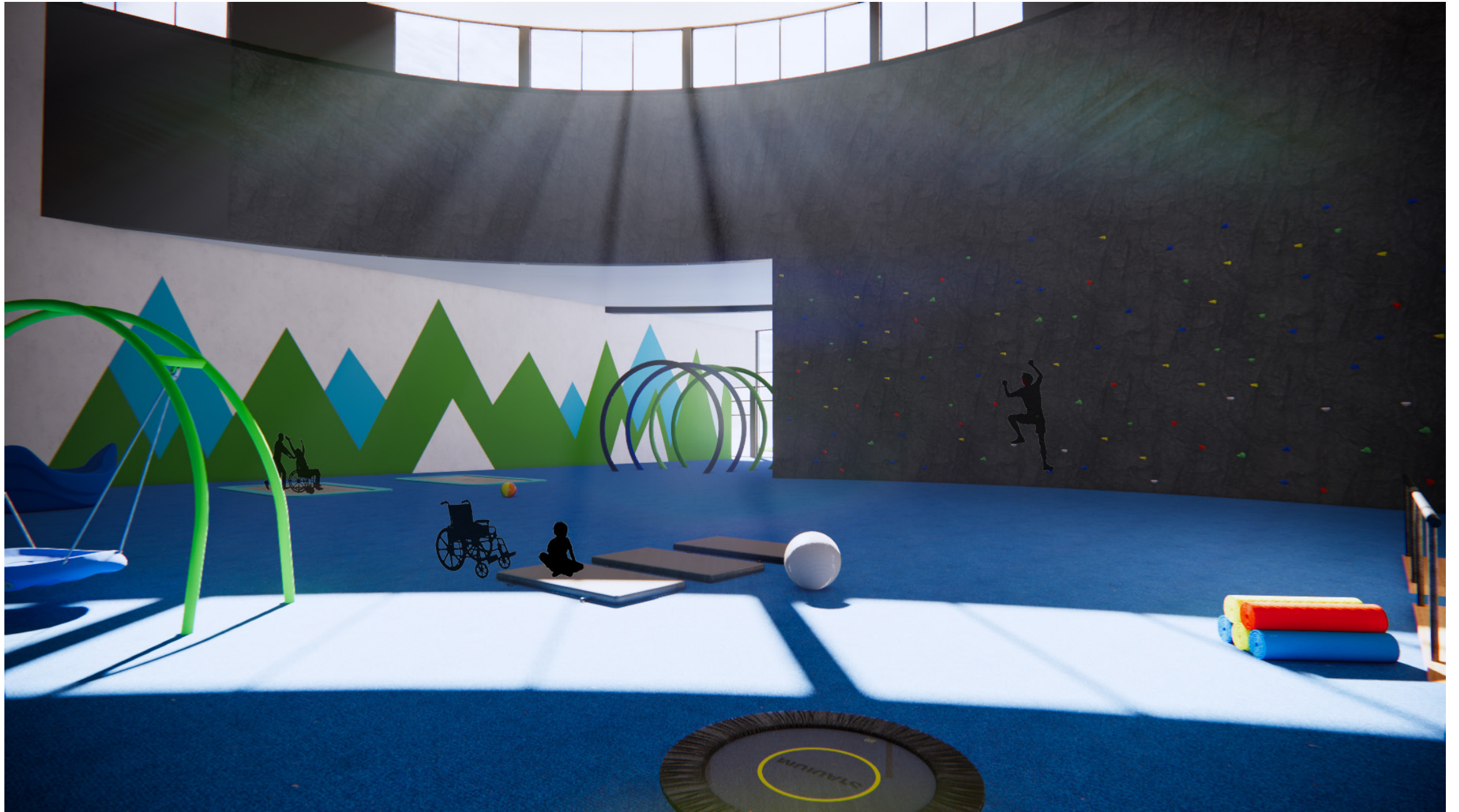
Interior Perspective | Gymnasium



Interior Perspective | Adapted Exercise Area



Interior Perspective | Walking Track



Interior Perspective | Recreational Area



Interior Perspective | Indoor Playground



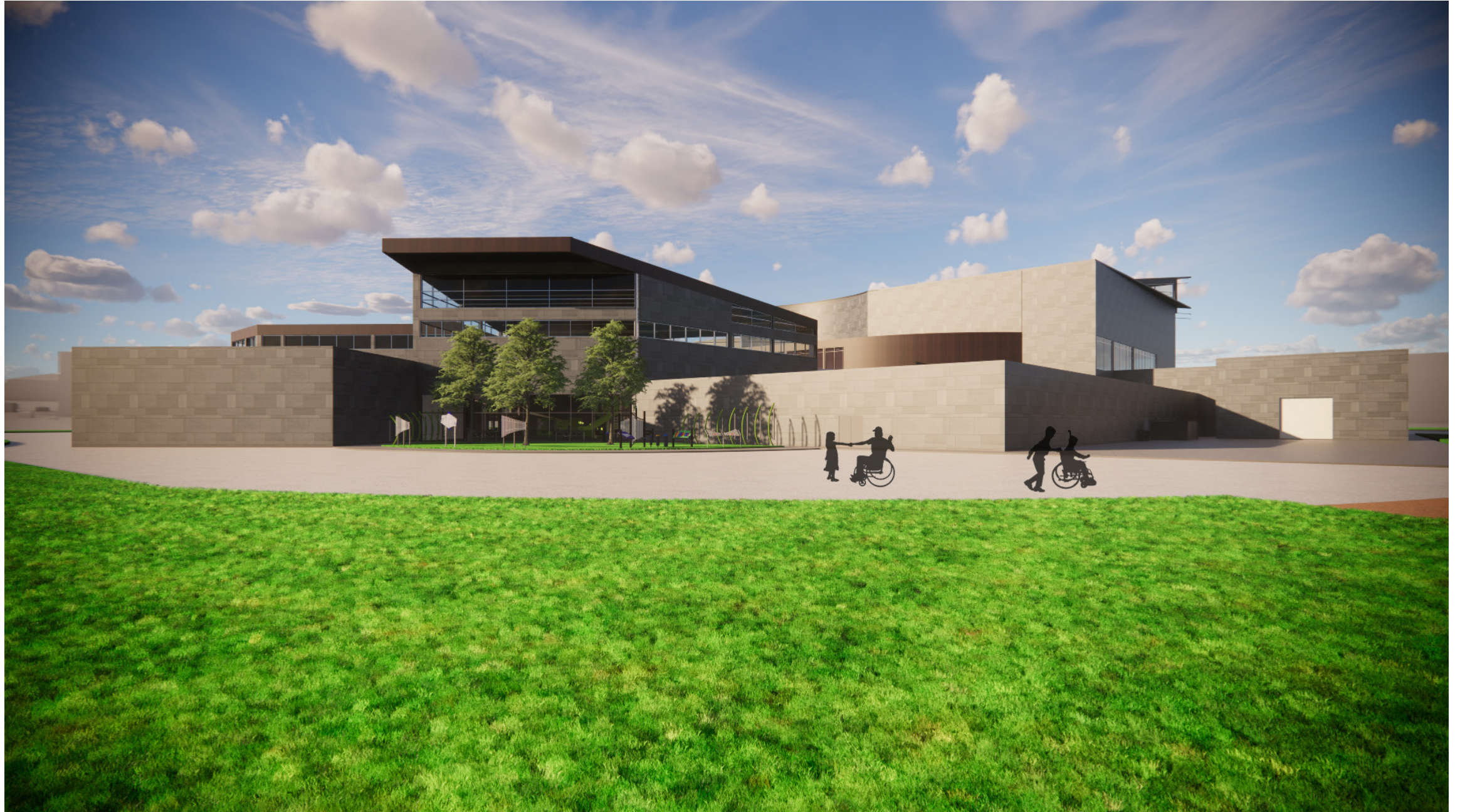
Interior Perspective | Sensory Room



Exterior Perspective | Music garden



Exterior Perspective | Adventure Area



Exterior Perspective | Park Entrance

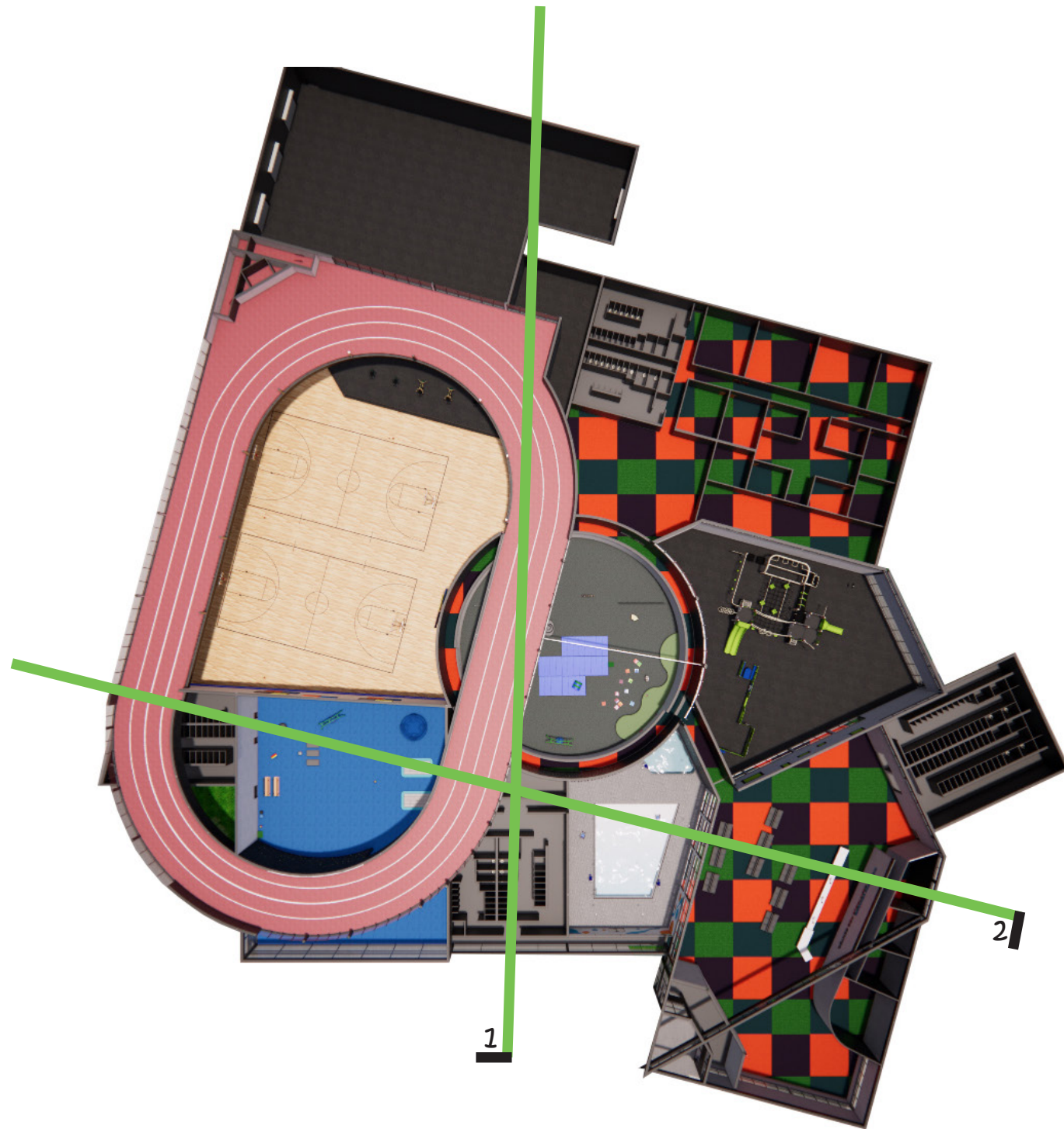


Exterior Perspective | Elevated Tack View

Questions?



Site Plan



Floor Plan



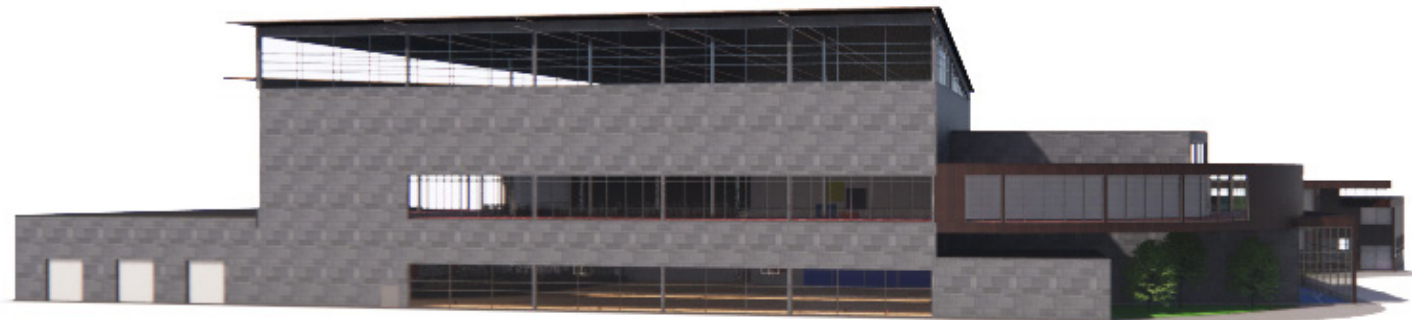
South Elevation



East Elevation



North Elevation



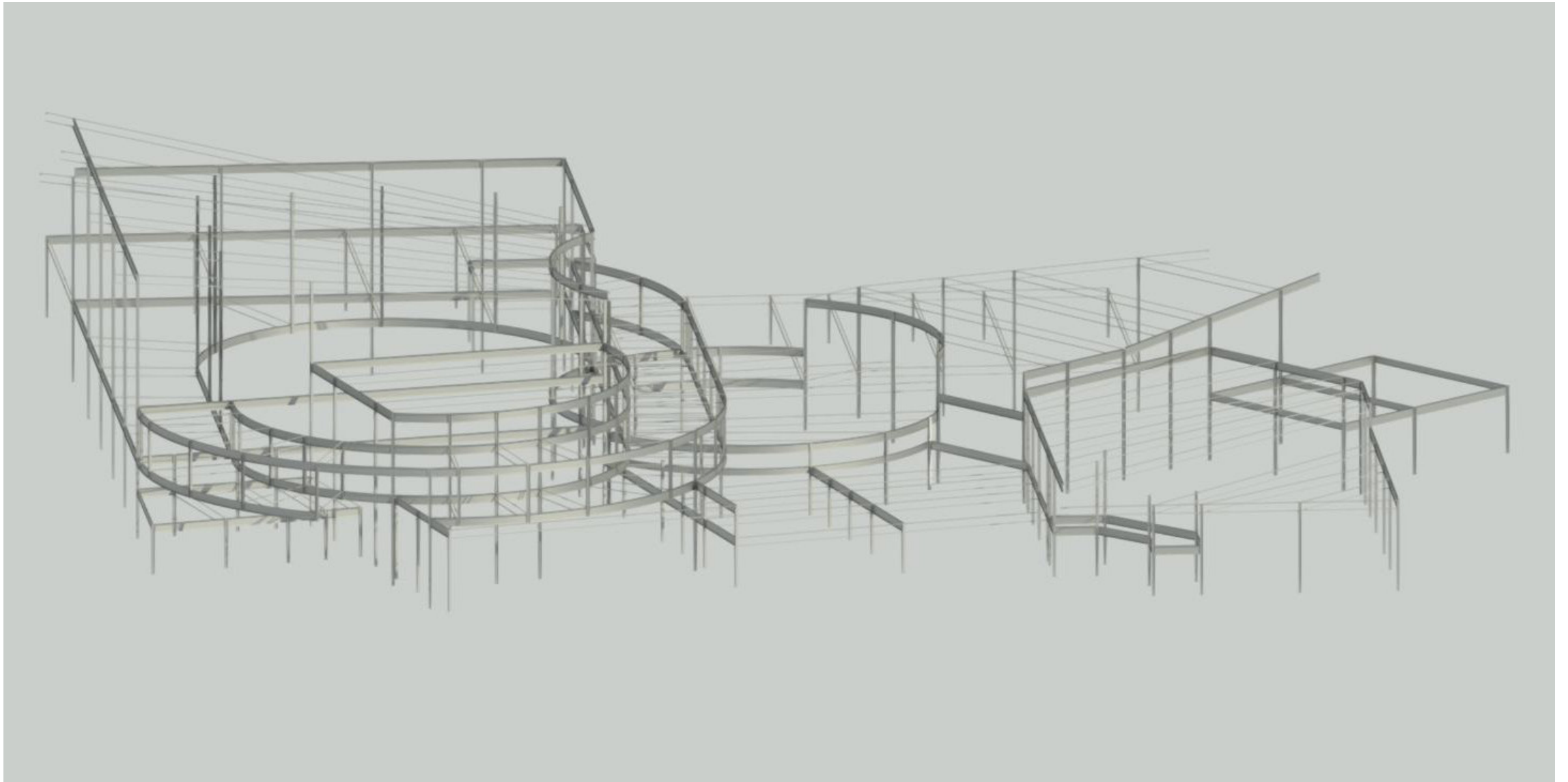
West Elevation



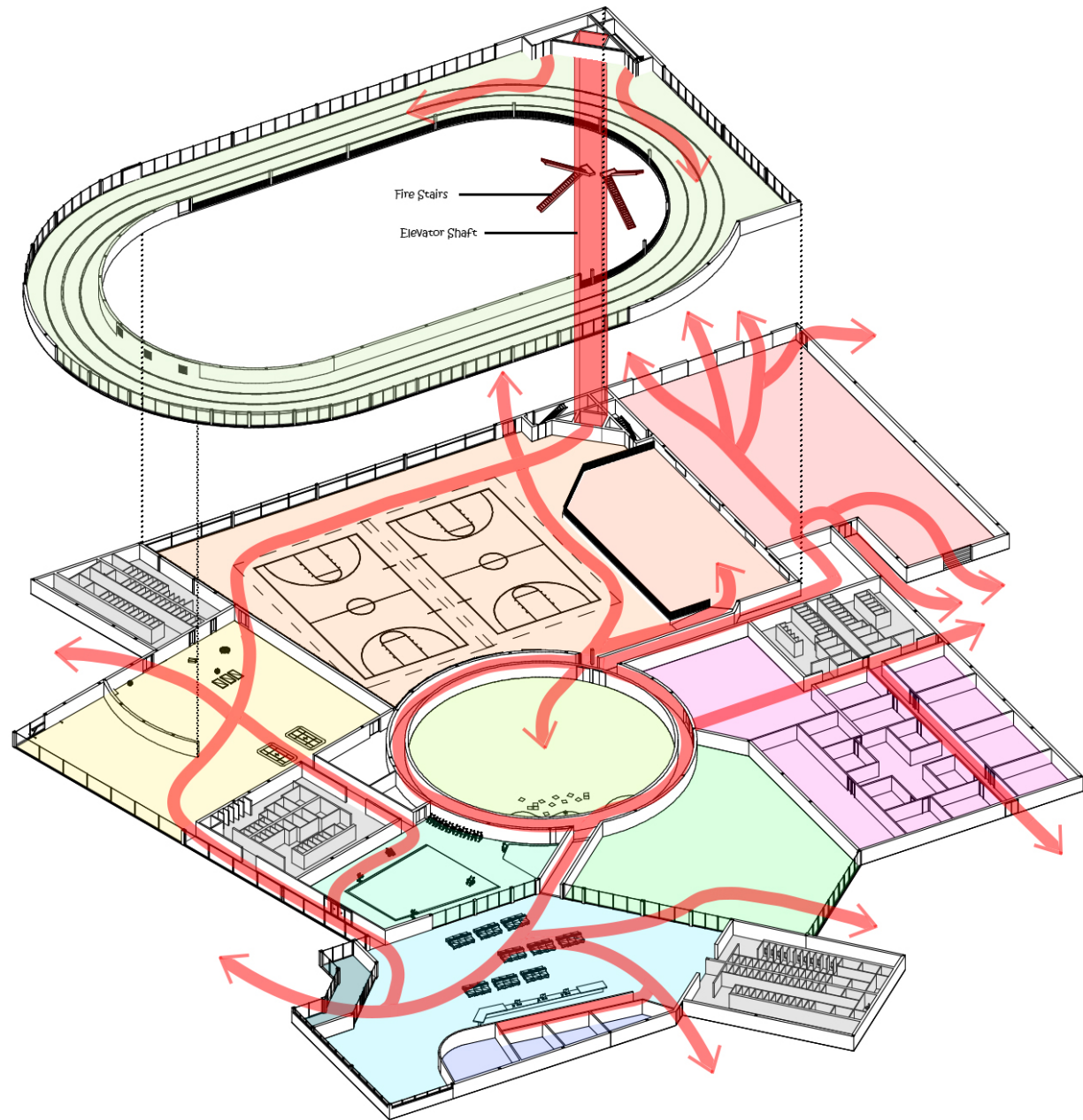
Section 1



Section 2

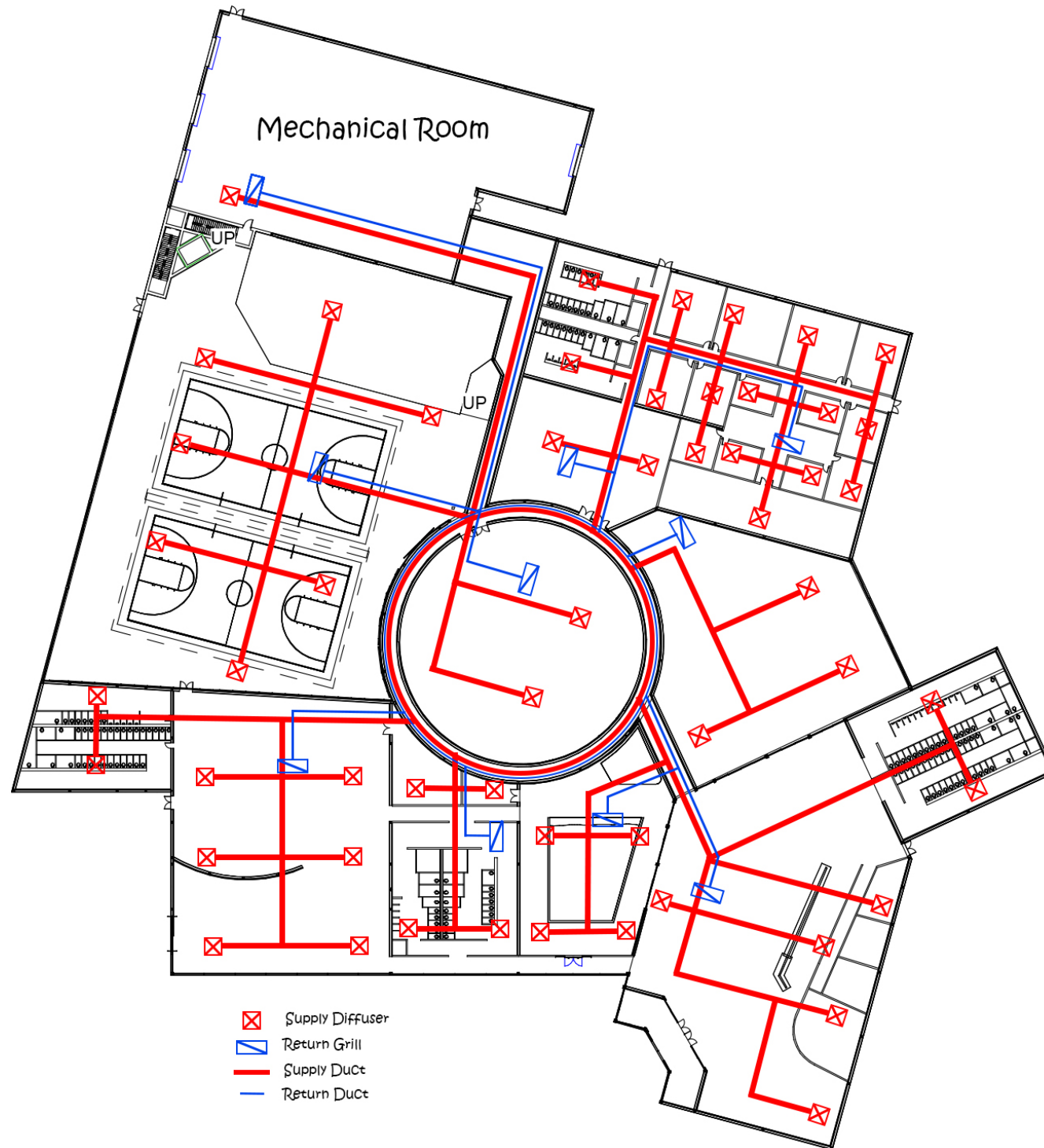


Structure System



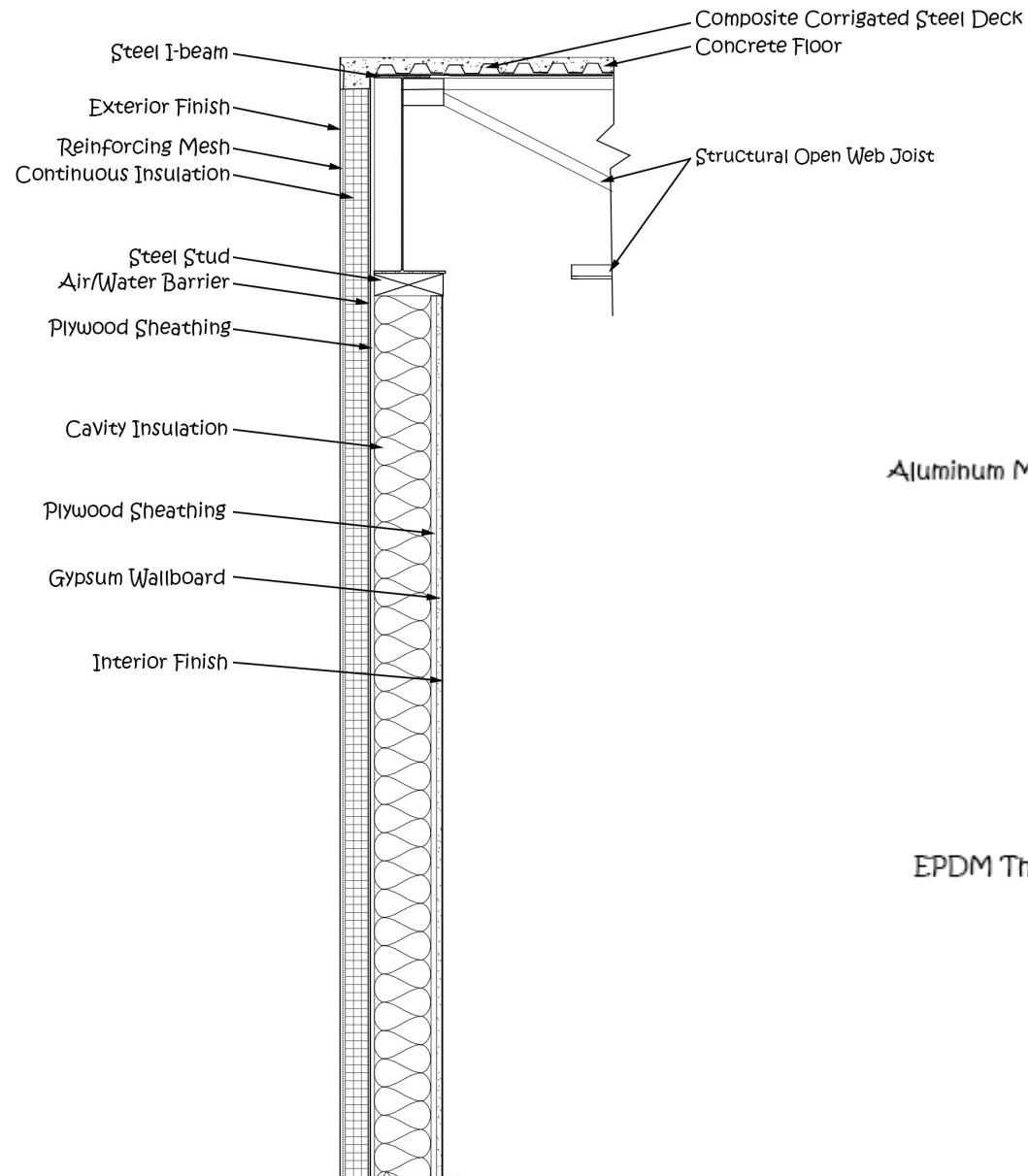
- Staff Offices
- Entrance
- Lobby/Commons Area
- Swimming Pool
- Indoor Playground
- Sensory Room
- Walking Track
- Recreational Area
- Gymnasium
- Adapted Exercise Area
- Therapy Center
- Mechanical Room
- Bathrooms
- Circulation Paths

Circulation Diagram

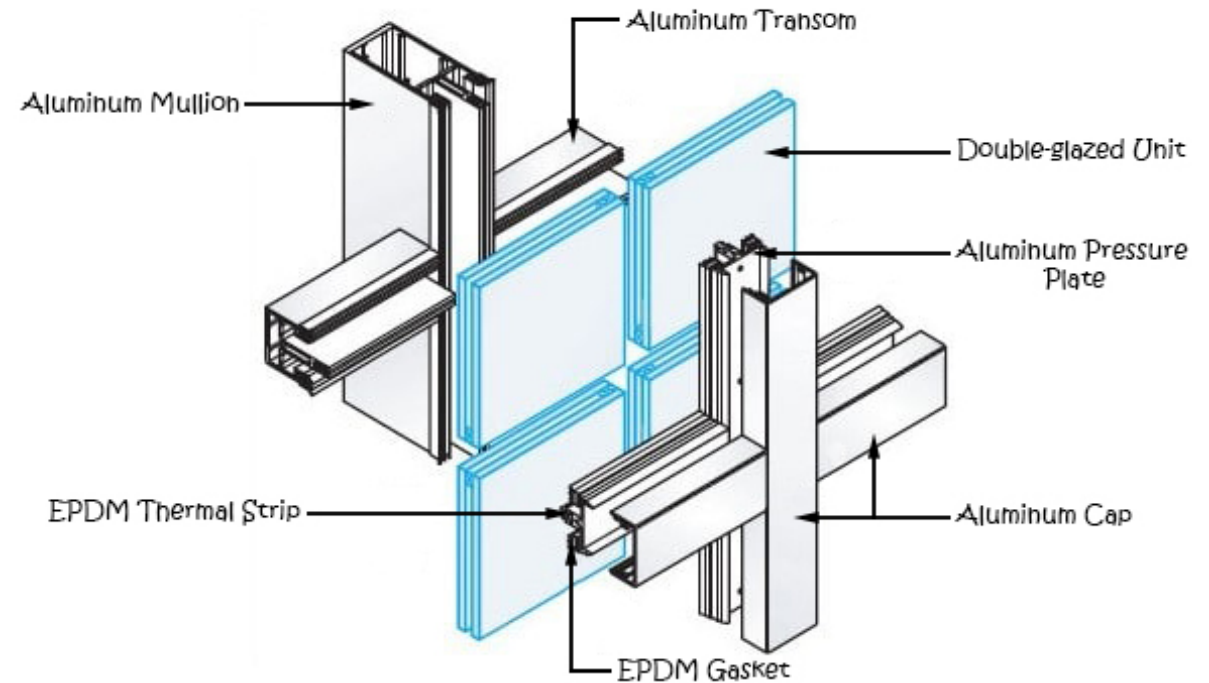


HVAC System

Wall and Floor Section

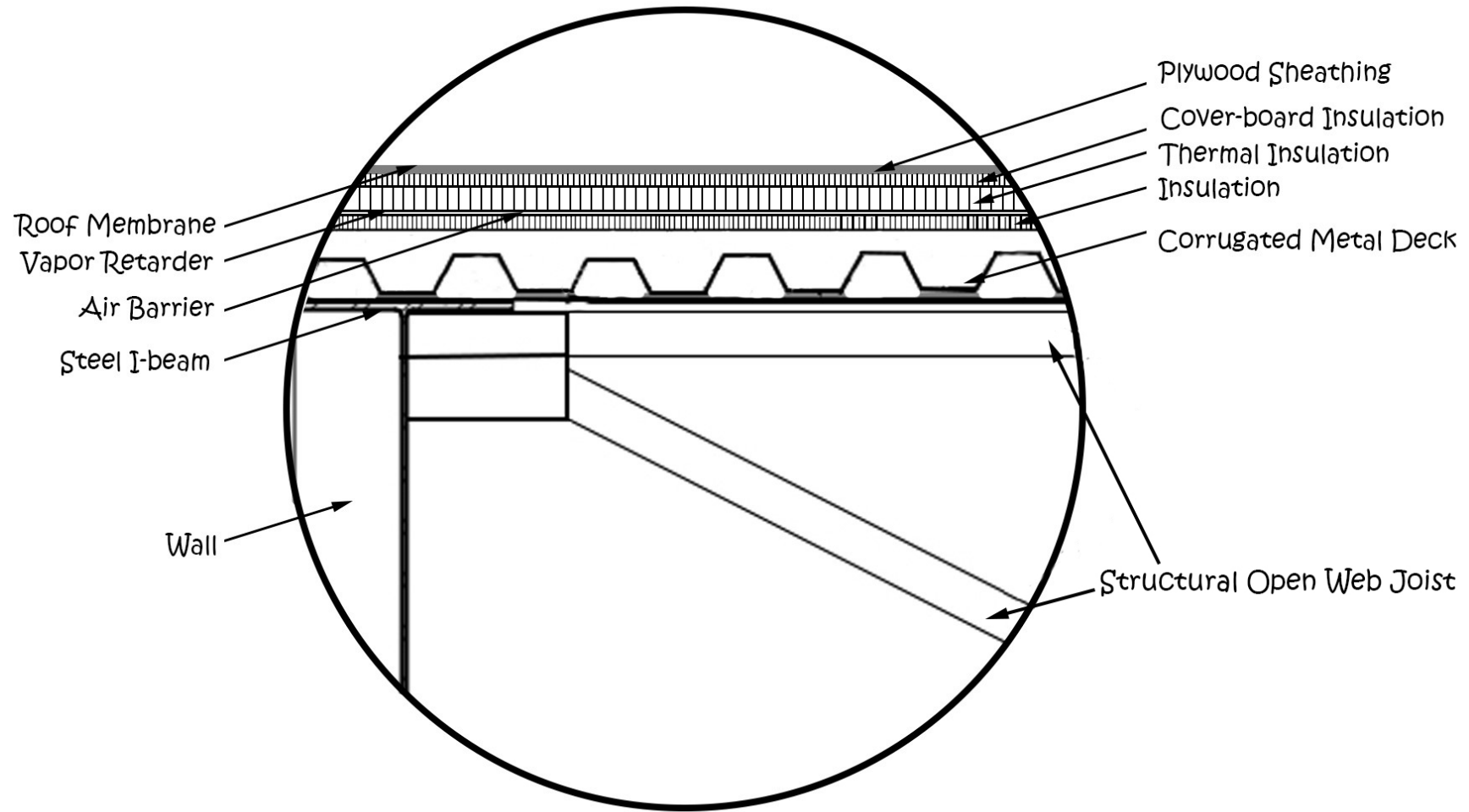


Steel Stud



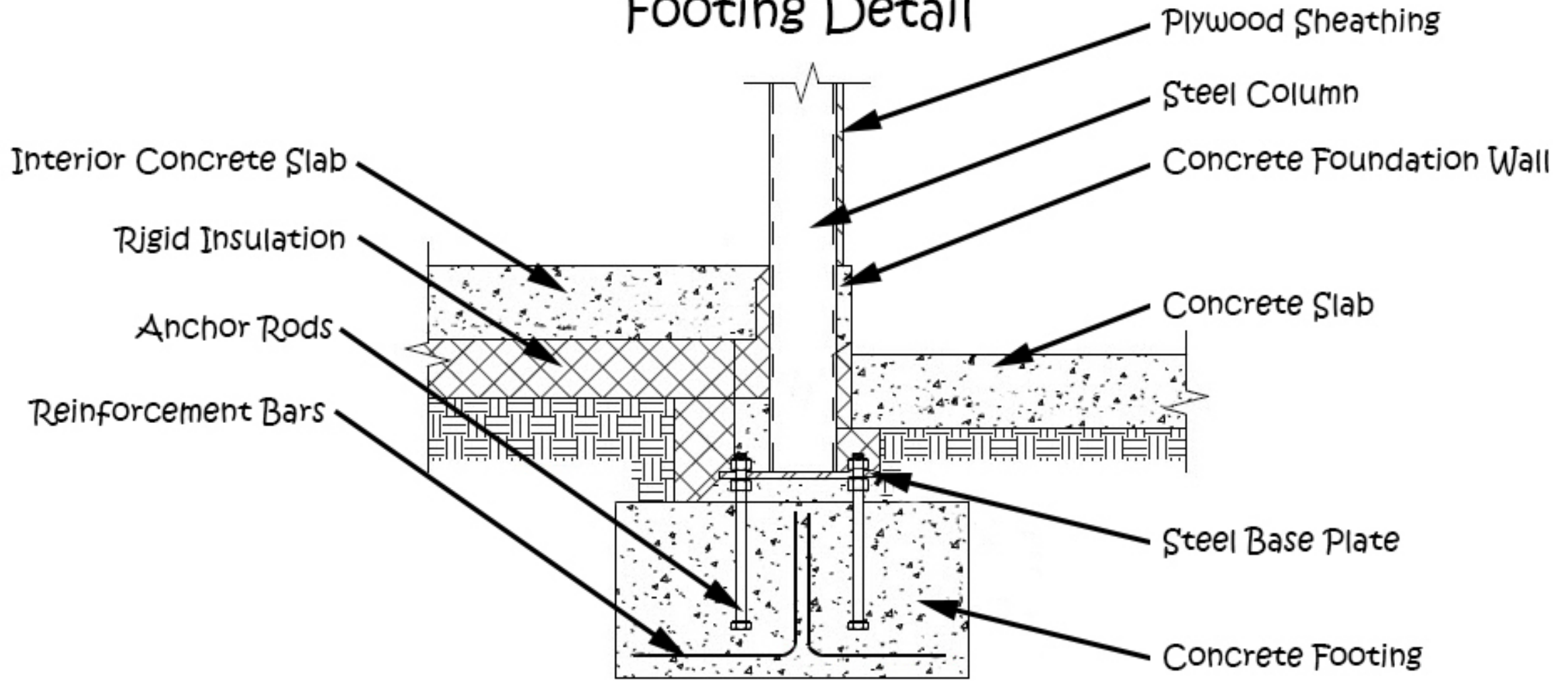
Technical Details

Roof Detail



Technical Details

Footing Detail



Technical Details



Thank You