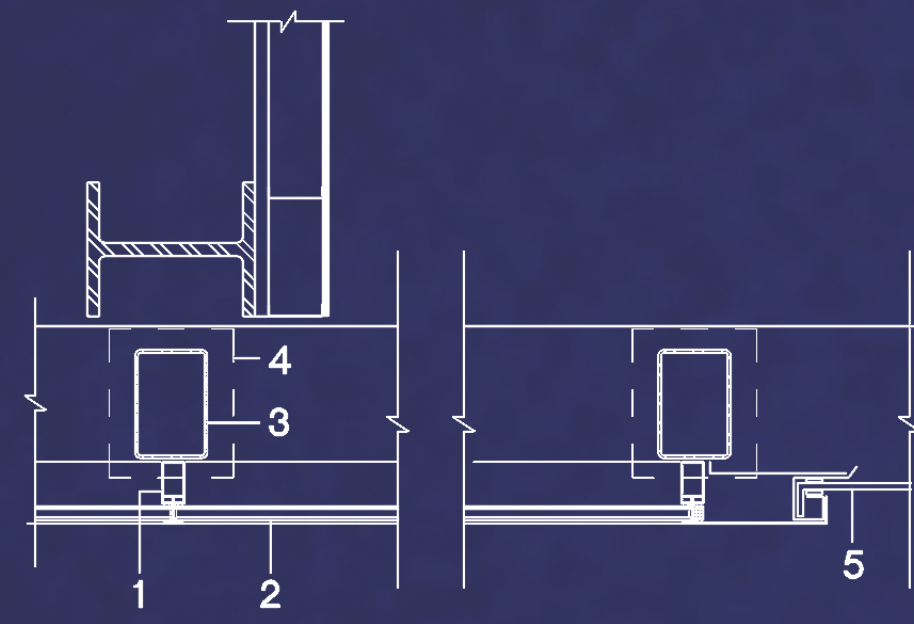
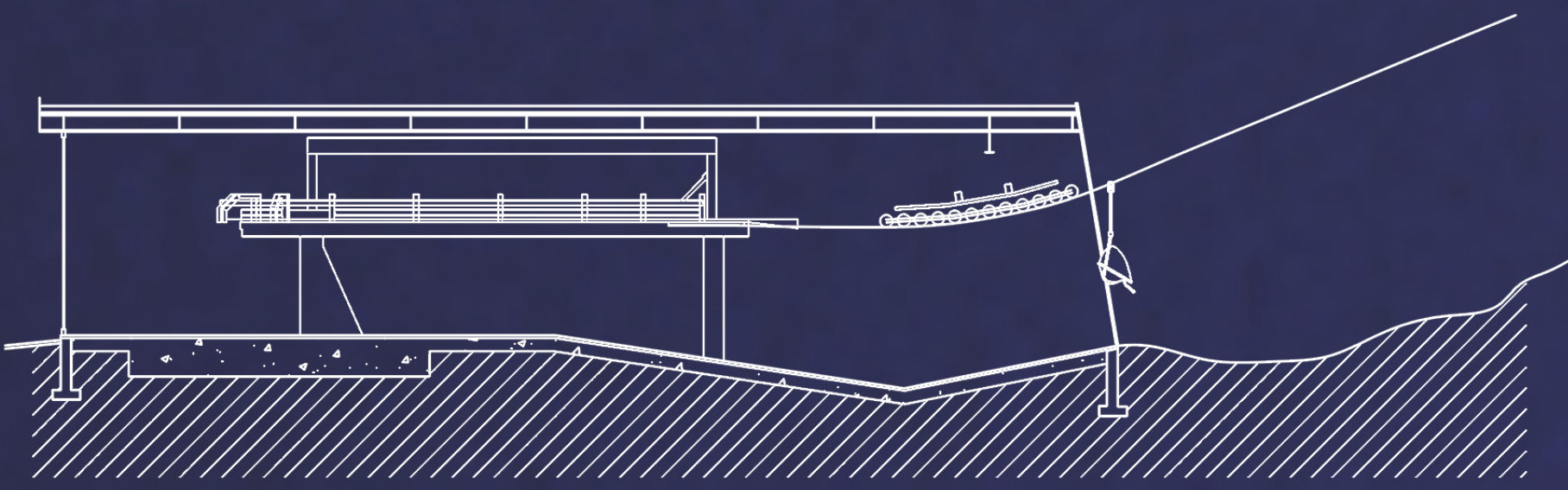


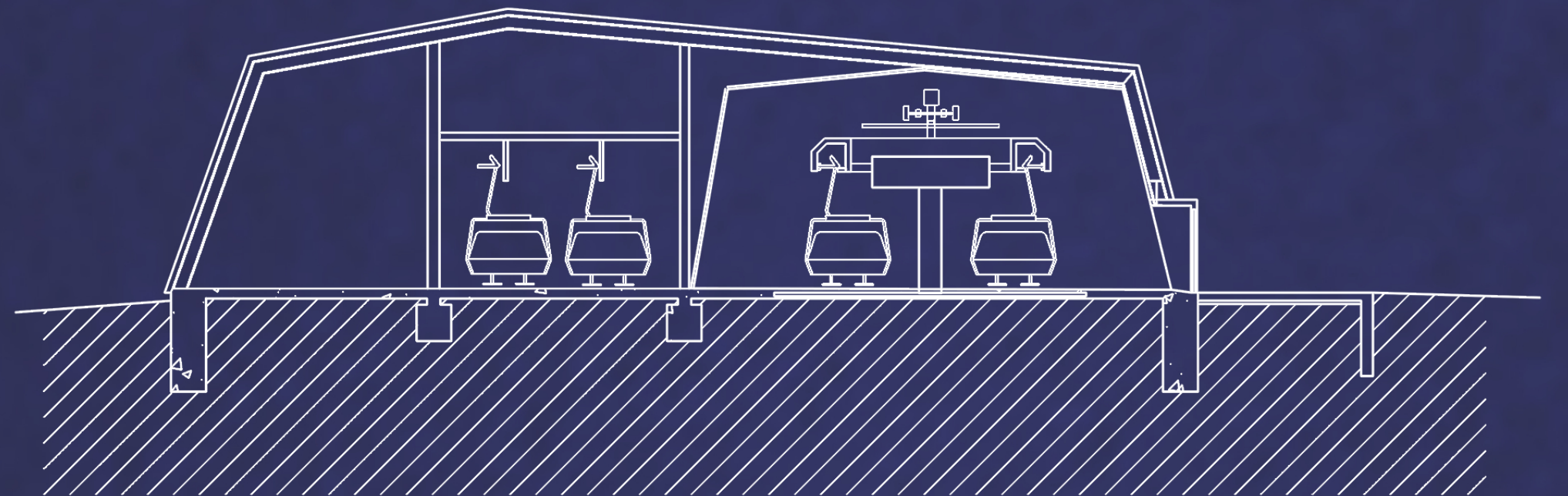
section cc



1. steel / alum. frame
2. translucent two layer insulating polycarbonate plate
3. steel / alum. main support column
4. base plate
5. colling door @ public entrance



section aa



section bb



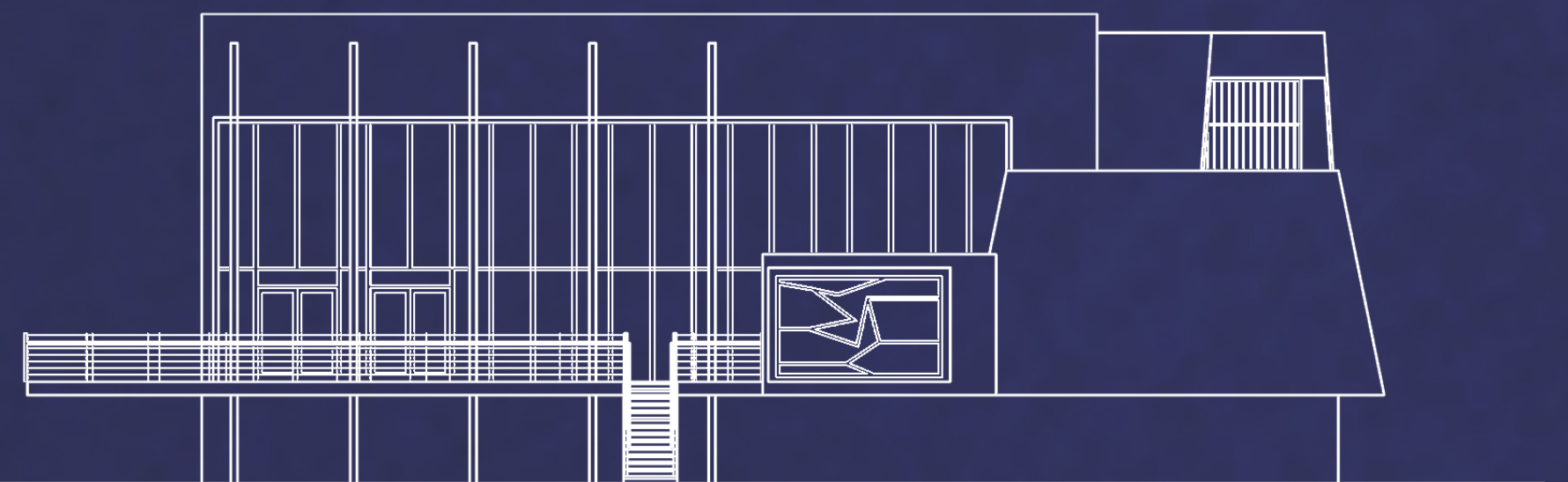
elev. upper station



elev. upper station



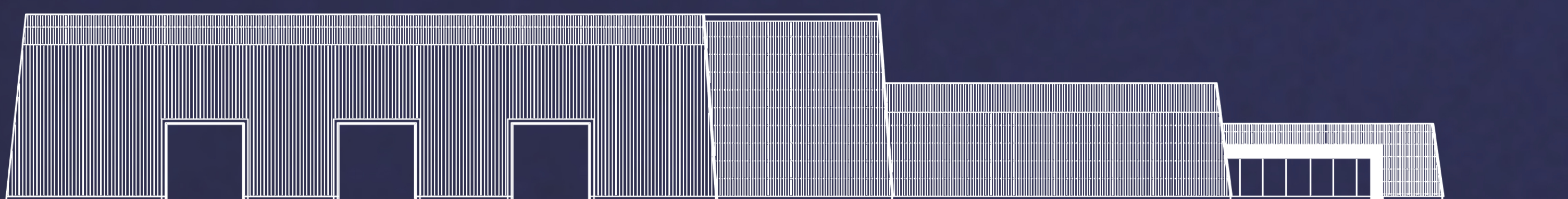
elev. upper station



elev. upper station



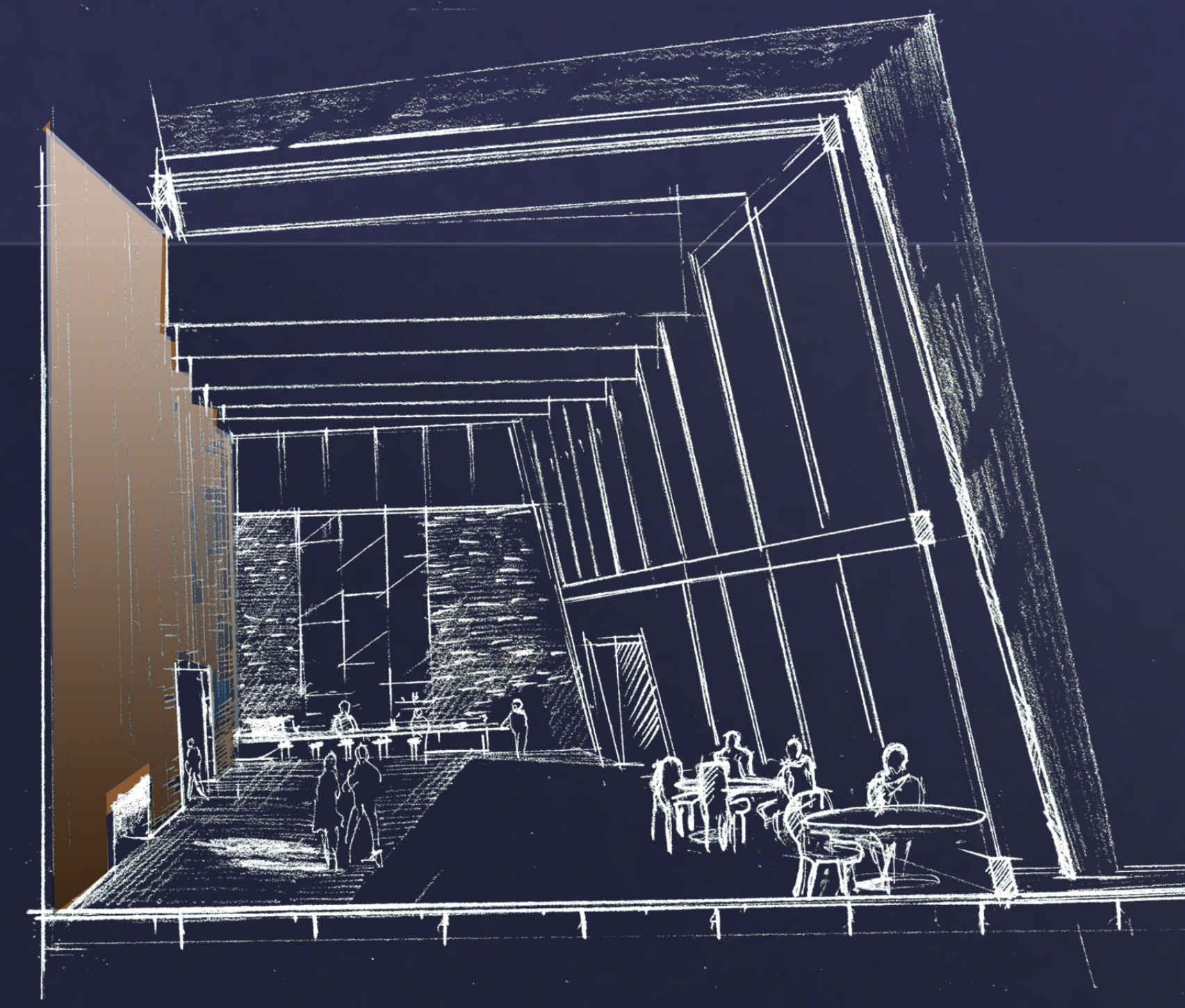
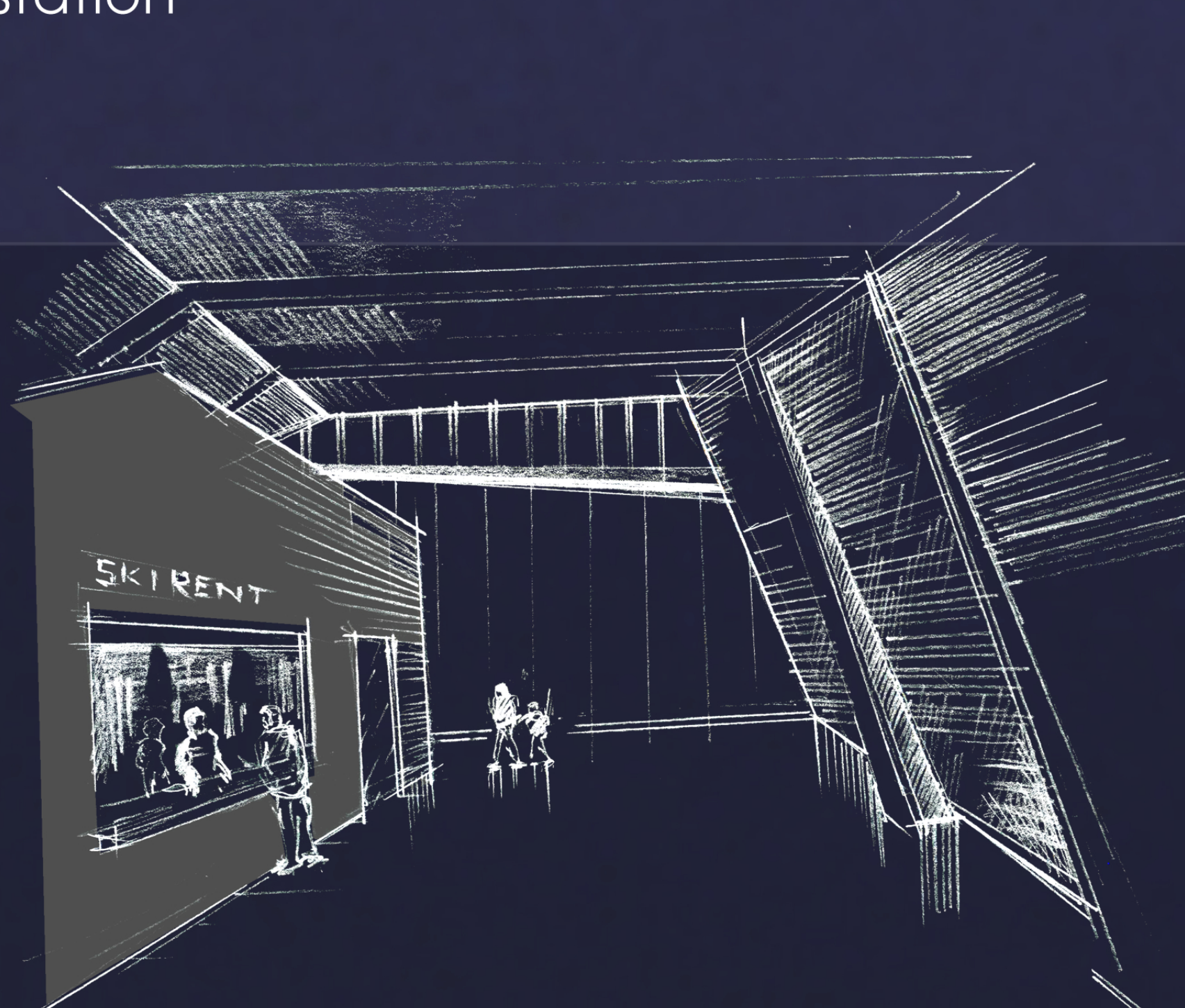
front elev. lower station



west elev. lower station



north elev. lower station



professor regin schwaen
 design: petar m. valkov
 spring 2010, fargo, nd

background photo used with permission by:
 Ralph Feiner, Feiner Photography, Chur, Switzerland